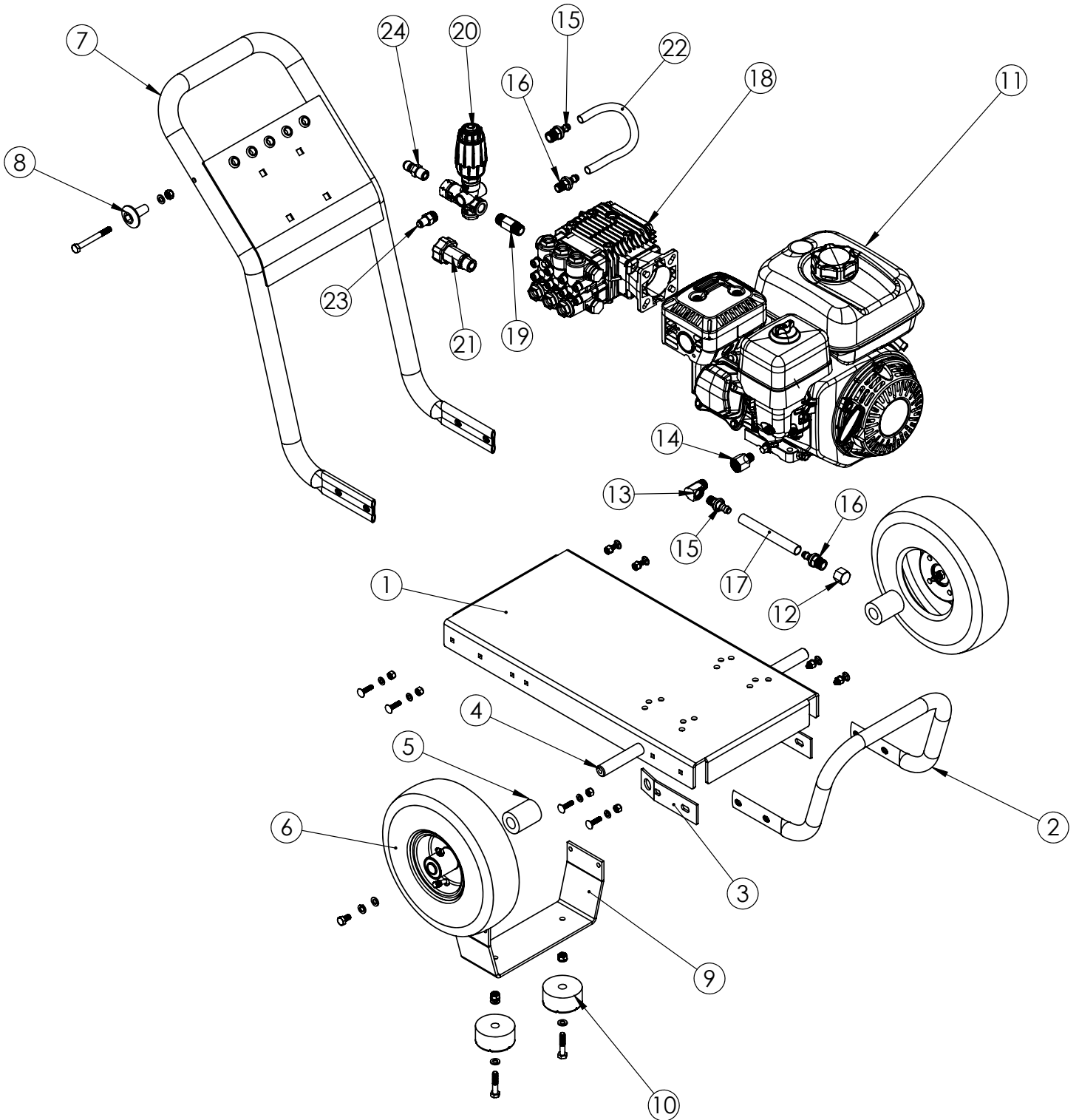


PHANTOM SILVER

Direct Drive 10" Tire



Phantom Silver Direct Drive Cold Water Pressure Washer 10" Tire

11035 - P-S3025HC, 11211 - P-S3027HC, 11217 - PS3027HC, 11061 - P-S3027HCP, 11330 - P-S3027HG

Position	Product Code	Part Number	Description	Qty	Model
Assembly	PW-F6BH	4007	Aluminum Frame with Bent Handle & 10" Tires	1	
1	HW-F6BASE	5906	Aluminum Base Plate for 4007 Frame	1	
2	HW-F6P03	4918	Aluminum Front Short Bumper Handle	1	
3	HW-F6P05	6136	Axle Keeper For F6 & F8 Frames	2	
4	HW-F6P04	1434	F6 Axle 3/4" OD x 467mm Zinc Plated	1	
5	HW-F6P07	6181	F6 Axle Spacer (Set of 2)	1	
6	HW-TIRE10	2638	10" Pneumatic Tire 4.10 x 3.50-4 3/4"	2	
7	HW-F6P01	3983	Aluminum Bent Extension Handle (One Piece)	1	
8	HW-F6P06	3328	Hard Rubber Gun & Lance Holder	1	
9	HW-F6P08	6435	Aluminum Front Foot Bracket For F6 & F8 Frames	1	
10	HW-PUCK	4542	Foot, Rubber 2.5" x 1"	2	
11	HE-06.5	2365	6.5 HP GX200 Honda Engine 3/4" Shaft	1	
Assembly	MX-DPR01	5425	Drain Pain Reliever for 2.5 to 6.5 Hp Honda Fits 10mm Oil Port	1	
12	FT-CAP3	2350	Brass Cap 3/8" Oil Drain	1	
13	FT-STEL2	2101	Brass Street Elbow 1/4" Short	1	
14	HW-10MM2F	5480	Brass 10mm-1.25 Male x 1/4" FPT Adapter	1	
15	FT-POHB32	3216	Push On Hose Barb 3/8 Hose x 1/4 MPT	2	
16	FT-POHB33	3217	Push On Hose Barb 3/8 Hose x 3/8 MPT	2	
17	GY-BPH3R5	2479	3/8" x 5" Bypass Hose	1	
18	CMLWD3025G	4320	LWD3025G 3 GPM 2500 PSI 3/4" Gas Flange	1	P-S3025HC / P-S3027HC
PTG Assy.	CMLWD3025P	4183	Pump to Go, LWD3025G-VR54 Unloader with Bypass	1	
	CP4DNX27GI	4260	4DNX27GSI 2.4 GPM 3000 PSI Pump with Unloader	1	P-S3027HCP
	GPTP2530G	6569	TP2530J34 Pump 3 GPM 2500 PSI 3/4" Gas Flange	1	P-S3027HG
PTG Assy.	GPTP2530GX	6795	Pump to Go, TP2530J34-VRT3-250 with Thermal Relief	1	
19	FTSHN32	2587	Steel Hex Nipple 3/8" MPT x 1/4" MPT, 5000 PSI	1	P-S3027HG
20	UN-VR54	6961	VR54 Unloader 8 GPM 2900 PSI	1	P-S3025HC / P-S3027HC
	UNVRT3310E	4518	VRT3-310EZ Black Spring Unloader 4500 PSI	1	P-S3027HG
21	FT-FGH4M1P	2176	3/4" FGH x 1/2" MPT Fitting with 1/4" FPT PO	1	
	FTFGH4M	2031	3/4" FGH Swivel x 1/2" MPT Fitting	1	P-S3027HCP
22	GY-BPH3R	2456	Line in. 3/8" Blue Bypass Hose	1	
23	VVTRV4	6536	1/2" MPT Thermal Relief Valve 150 Deg	1	
	VVTRV2	6534	1/4" MPT Thermal Relief Valve 150 Deg	1	P-S3027HG
24	BA-S3F	2401	QC Socket 3/8" FNPT Brass	1	
	BA-S3M	3004	QC Socket 3/8" MNPT Brass	1	P-S3027HG
RQC Option	BA-P3M	4780	QC Plug 3/8" MNPT Steel Plated	1	
	BA-P3F	3878	QC Plug 3/8" FNPT Steel Plated	1	P-S3027HG